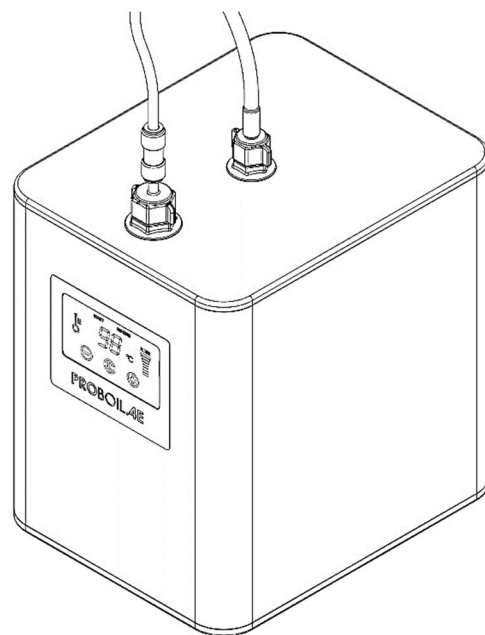
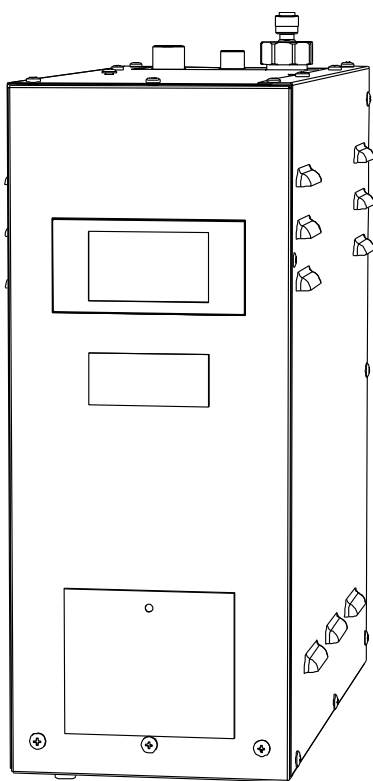


PROBOIL.3 to PROBOIL.4E

Conversion guide



www.proboil.co.uk

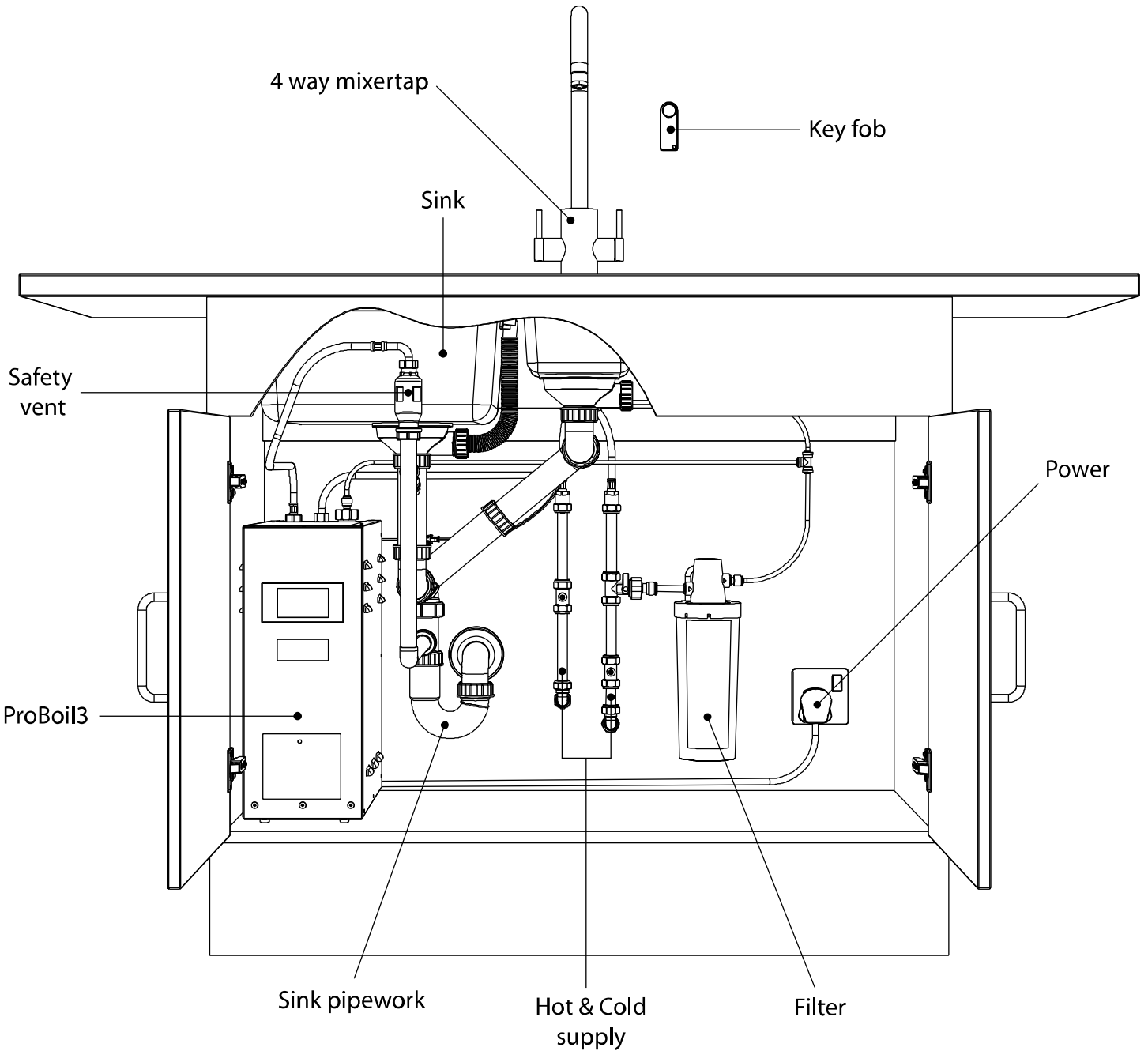
ⓘ Please read carefully and then retain all instructions for your customer's future use.

<p>ⓘ An information point or tip for installation or usage.</p>	<p>⚙ A service, maintenance or care consideration.</p>	<p>⚠ A technical or safety consideration or warning of hazardous situation with regard to life and property.</p>
--	---	---


We have a policy of continued product and quality development and improvement, accordingly we reserve the right to amend the specification at any time, all errors and omissions excepted.

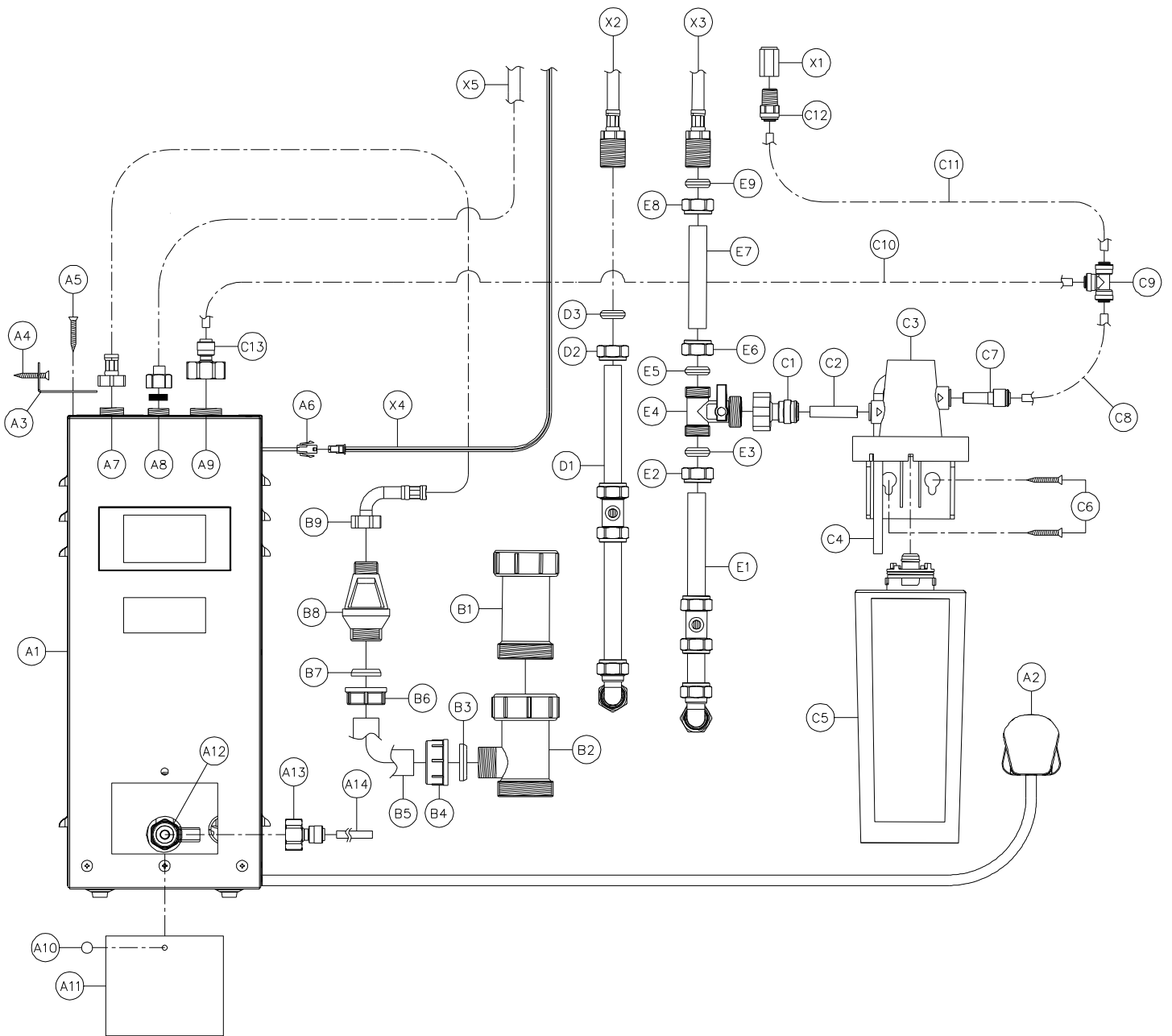
1.1 PROBOIL3: Typical existing Installation overview:

Below is an overview of a typical installation when completed. This can be used to familiarise yourself with the major system components, overall layout and terminology.




1.2 PROBOIL3: Parts and contents:

 This drawing shows the PROBOIL3 boiler and filter system parts. The 'Key' code will be referred to throughout the manual.



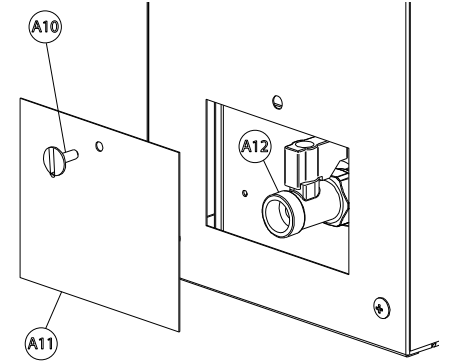
Key	Qty	Description
A1	1	Boiler unit
A2	1	1.5m Power lead
A3	1	Boiler mounting bracket
A4	1	Boiler bracket to base unit screw
A5	2	Boiler bracket screw
A6	1	Data connection lead
A7	1	½" Safety / steam / overflow vent outlet
A8	1	3/8" Hot water outlet
A9	1	¾" Filtered water inlet
A10	1	Screw – front panel
A11	1	Front panel
A12	1	Drain valve
A13	1	½" BSPF x ¼" push fit
A14	1	¼" tube (drain)
B1	1	1 ½" x 3" Waste extension piece (for use with one bowl sinks only)
B2	1	1 ½" x 1 ½" x 22mm Waste tee
B3	1	22mm Olive
B4	1	Plastic compression nut
B5	0	22mm copper pipe with elbow, installer fabricated to suit.
B6	1	Plastic compression nut
B7	1	22mm Olive
B8	1	½" x 22mm Tundish
B9	1	½" x ½" Vent hose
C1	1	¾" BSP x 3/8" push fit
C2	1	3/8" x 600mm tube (thicker tube type)
C3	1	Filter head (includes check valve)
C4	1	Flush / Drain pipe
C5	1	Filter cartridge
C6	2	Filter head screws
C7	1	3/8" stem x ¼" push fit
C8	1	¼" x 1500mm Tube (thinner tube type)
C9	1	¼" x ¼" x ¼" Push fit equal tee
C10 (E)	Part of C8	¼" x 1500mm Tube (cut to length as required from C8) (Note: Part (C10) is referred to as (E) in the 'PROBOIL.4E User & Installation Guide'.
C11	Part of C8	¼" x 1500mm Tube (cut to length as required from C8)
C12	1	¼" NPTF x ¼" Push fit connector
C13	1	¾ BSPF x ¼" push fit
D1	0	15mm copper pipe
D2	1	15mm Compression nut
D3	1	15mm Compression olive
E1	0	15mm copper pipe
E2	1	15mm Compression nut
E3	1	15mm Compression olive
E4	1	½" (15mm) x ½" (15mm) x ¼" 3 way isolating tee
E5	1	15mm Compression olive
E6	1	15mm Compression nut
E7	0	15mm copper pipe
E8	1	15mm Compression nut
E9	1	15mm Compression olive

1.3 PROBOIL3: Boiler unit removal

 The water in the PROBOIL tank may be up to 98°C and as such represents a scalding risk if handled without due care. We recommend that the boiler is switched off on the front panel before draining any stored water. It will take approximately 8 hours (overnight) for a full 98°C tank to naturally cool to a touch safe temperature of 46°C. Do not open the drain valve until the hot water is at atmospheric pressure. Should you need to drain the boiler without allowing it to naturally cool, then you must take adequate care and use personal protective wear to prevent accidental scalding from hot water, surfaces and steam drained from the front drain valve.

- 1) Use the Hotkey to drain hot water from the tank until no more water can be dispensed.
- 2) Ensure the boiler (A1) is turned off at the front control panel and allowed to cool down.

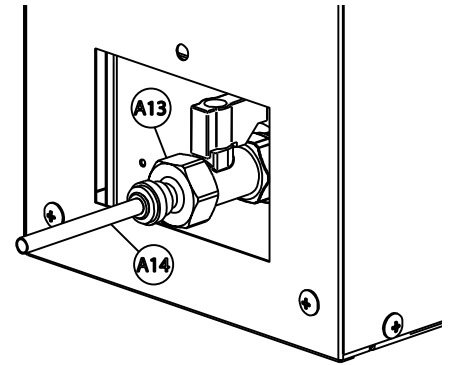
- 3) Remove the slotted screw (A10) from the access plate (A11) at the bottom of the boiler front panel, place it somewhere safe so it does not get lost accidentally.
- 4) Remove the slotted screw (A10) from the access plate (A11) at the bottom of the boiler front panel, place it somewhere safe so it does not get lost accidentally.





- 5) Place a washing up bowl or bucket on the floor below the level of the drain.
Note: a 5 litre vessel capable of holding hot fluid safely is required.

- 6) Connect the adaptor (A13) and drain hose (A14) to the valve and hand tighten. This part was supplied with the product originally, if it has been lost then a ½" female hose can be connected to the drain valve (A14) instead.
- 7) Turn lever (A12) to open valve and allow water to drain into washing up bowl or bucket.

- 8) Once all the water has drained from the unit close the drain valve (A12).
- 9) Gently shake the drain hose (A14) then disconnect the drain hose.
- 10) Place coiled drain hose (A14) into the compartment and replace cover (A11) using the hand screw (A10).



 take care not to move the drain valve (A12) from the closed position when replacing the drain hose (A14).

- 11)  Safely and carefully dispose of the drained waste water.


- 12) Turn the power off by unplugging the power lead (A2) at the mains.

- 13) Ensure to fully turn off the ½" (15mm) x ½" (15mm) x ¾" 3 way isolating tee (E4). Note: Off position shown in PROBOIL3 'Parts and contents' drawing.

- 14) Disconnect connection lead (X4) from data connection lead (A6).

- 15) Disconnect ¼" blue tube (C10) from ¾ BSPF x ¼" push fit (C13).

- 16) Unscrew the taps 110°C braided hose (X5) from the 3/8" Hot water outlet (A8).


 Note it may still be hot to touch



If a 3/8 male x female brass “flow limiting adaptor” is attached to the end of 110°C braided hose (X5) it must be removed



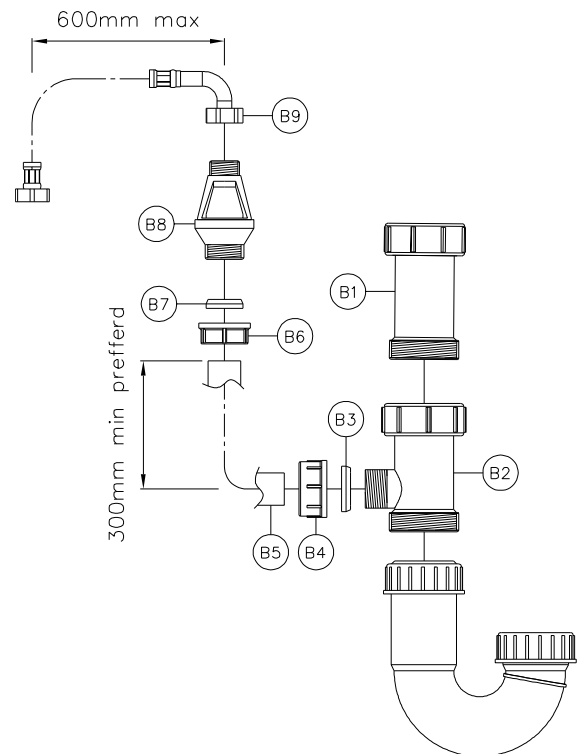
The boiler flexi hose (X5) is approximately 1200mm in length, when connected to the boiler with silicone boiler outlet hose (K) it must not be doglegged and have a constant fall from the tap to the proboil4e outlet.

- 17) Unscrew ½” x ½” Vent hose (B9) from ½” Safety / steam / overflow vent outlet (A7).  Note it may still be hot to touch
- 18) If boiler mounting bracket (A3) has been used please unscrew this now.
- 19) Now the Boiler (A1) has been disconnected it can now be removed from the sink unit.

1.4 PROBOIL3: Vent, Tundish & Drain removal

Option 1 – Removal


- 1) Place a washing up bowl or bucket on the floor below the pipework.
- 2) Unscrew plastic compression nut (B4) and pull parts (B5, B6, B7, B8 & B9) away from waste tee (B2).
- 3) Place a blanking plug (proboil part order code SC-7158) inside compression nut (B4) and screw tightly (B4) by hand back onto waste tee (B2).



Option 2 – retain

- 1) Unscrew vent hose (B9) and remove from tundish (B8).
- 2) Rotate waste tee (B2) so it is out of the way.

2.0 PROBOIL4E: Boiler installation

- 1) Please now refer to section 2.3.4 in the ‘PROBOIL 4.E User and Installation Guide’ for the next steps for installation.
- 2) Before connecting the PROBOIL4E to the existing filter (C5) you should check that it is not past its recommended expiry date as written on the label on filter (C5), if required it is recommended to be replaced before continuing or shortly after installation.
- 3)  When reconnecting the 98°C tap hose (A8) you must not connect it directly to PROBOIL4 output port (C) directly, you must connect the hose to the PROBOIL4E output port using silicone adapting hose (parts L,K,J & I)